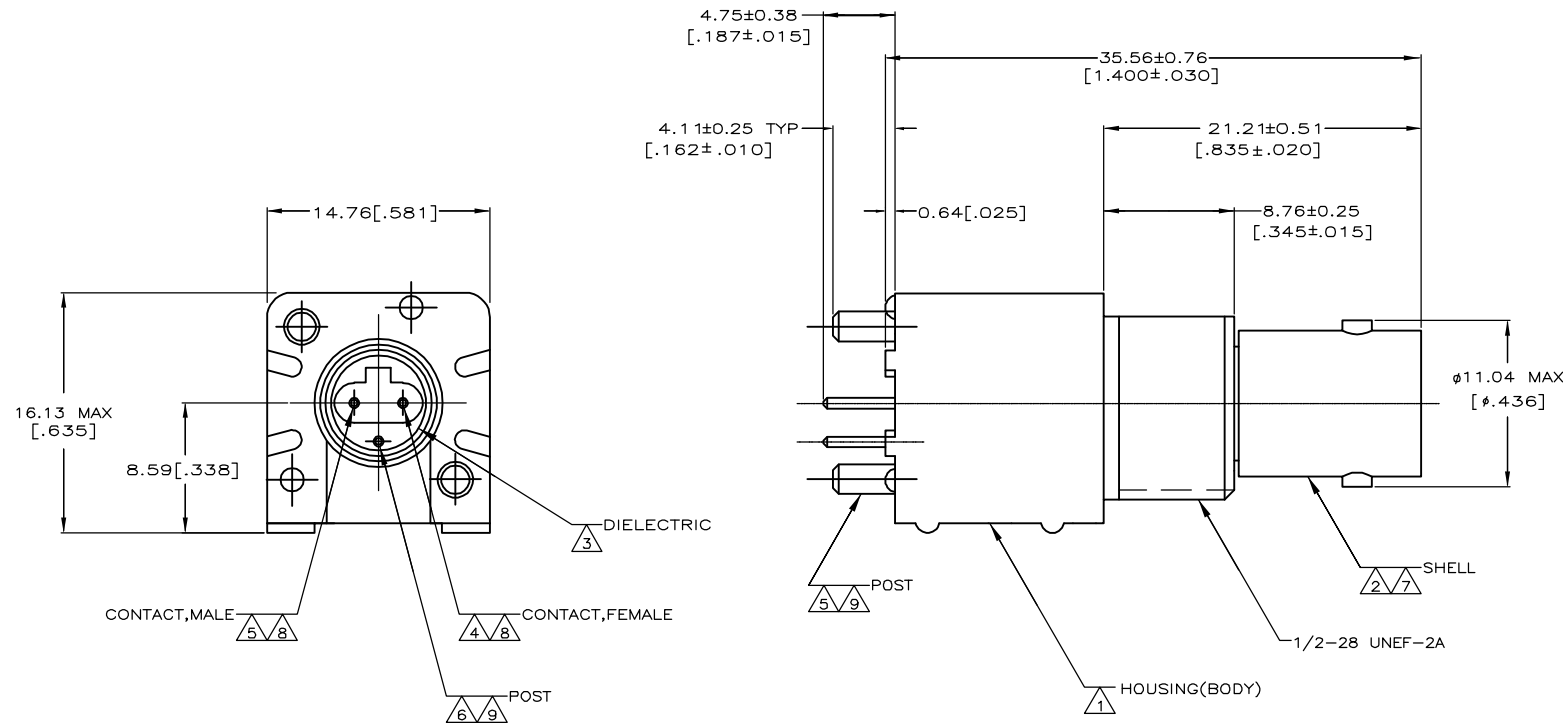
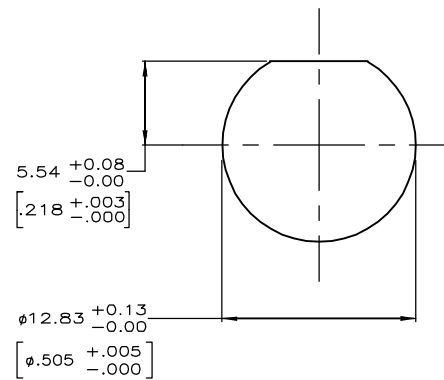
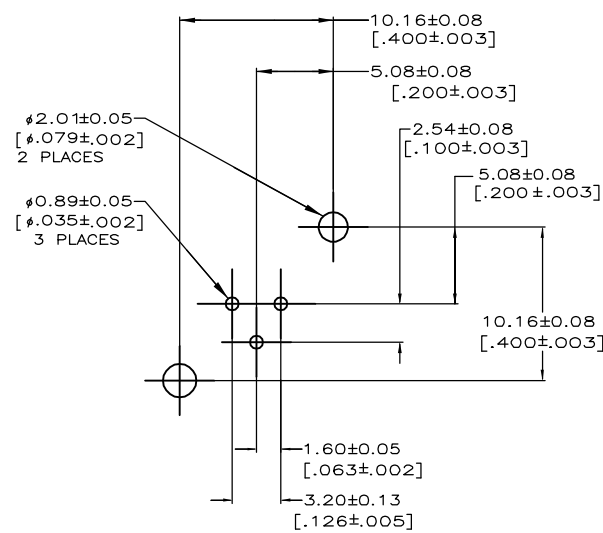


THIS DRAWING IS UNPUBLISHED. RELEASED FOR PUBLICATION
 © COPYRIGHT BY TYCO ELECTRONICS CORPORATION. ALL RIGHTS RESERVED.

LOC	DIST	REVISIONS			
P	LTR	DESCRIPTION	DATE	DWN	APVD
AJ	16	A	REVISED PER EC OS14-0150-05	30AUG05	BM JL



- 1 POLYESTER, PBT, 15% GLASS FIBER REINFORCED, NATURAL, PER MIL-M-24519.
- 2 ZINC PER QQ-Z-363.
- 3 POLYMETHYLPENTENE, GENERAL PURPOSE.
- 4 PHOSPHOR BRONZE PER QQ-B-750.
- 5 BRASS PER QQ-B-626.
- 6 BRASS PER ASTM-B-453.
- 7 NICKEL PL PER QQ-N-290, 3.81μm [.000150] MINIMUM THICK
- 8 GOLD PL PER MIL-G-45204, 0.76μm [.000030] MINIMUM THICK
- 9 TIN PLATE PER ASTM-B-545, 3.81μm [.000150] MINIMUM THICK



5221198-1
 PART NUMBER

PCB CONFIGURATION

THIS DRAWING IS A CONTROLLED DOCUMENT.		DWN J. ALCORTA - DOCK5	21APR2005	Tyco Electronics Corporation	
		CHK J. HAVENER	21APR2005	Harrisburg, Pa 17105-3608	
		APVD J. LIPPERT	21APR2005	NAME	
		PRODUCT SPEC		JACK, VERTICAL, PCB, SERIES TWIN BNC	
		APPLICATION SPEC			
		WEIGHT	-	SIZE	A3
		CUSTOMER DRAWING		CAGE CODE	00779
				DRAWING NO	C-5221198
				RESTRICTED TO	-
				SCALE	2:1
				SHEET	1 OF 1
				REV	A